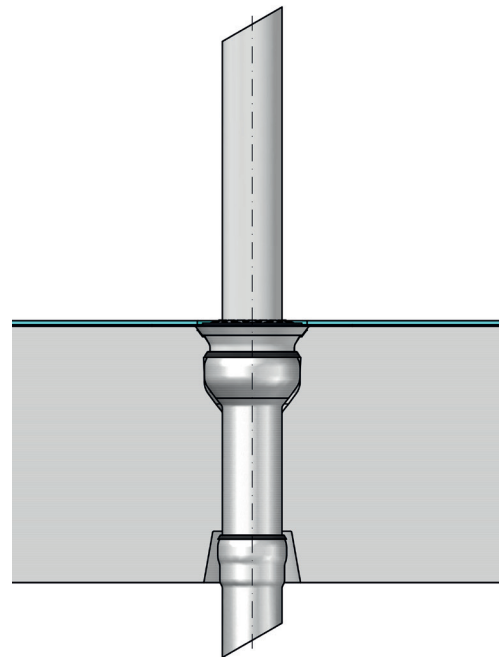


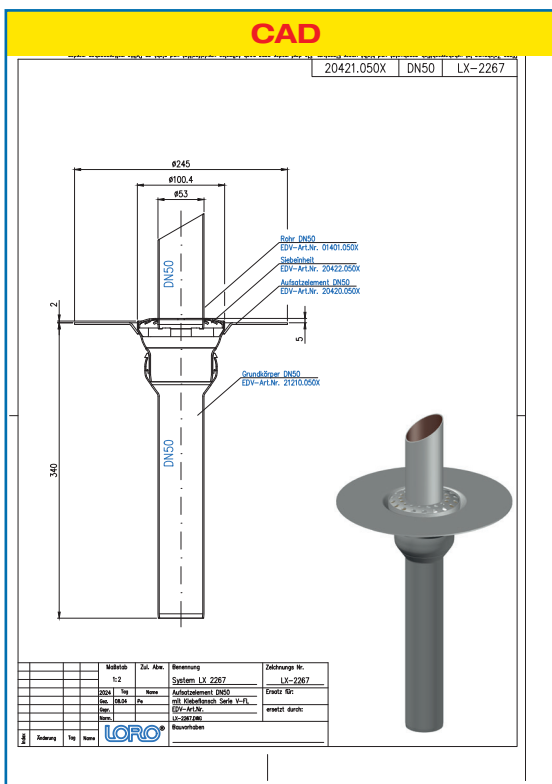
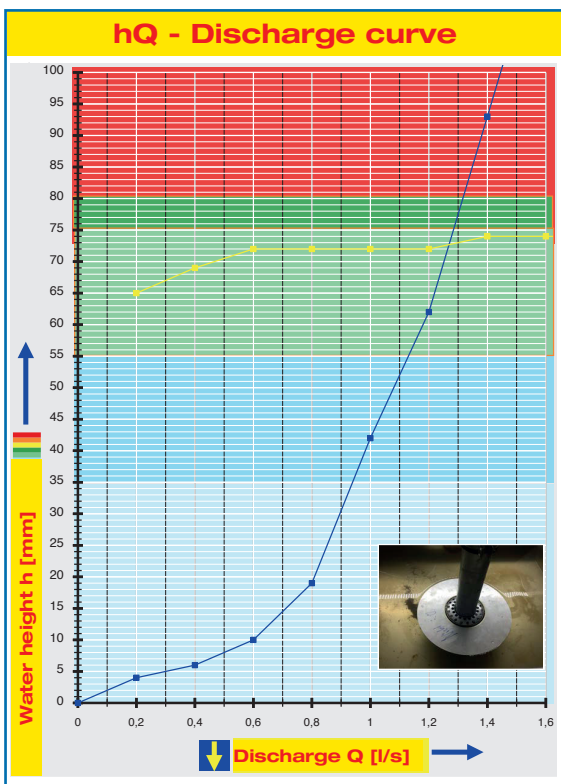
Specification Sheet LX 2267

**Balcony Drainage
Balcony Drain Series V-FL**



Main drainage	
Gravity flow	
Silent	
Discharge:	0,94 l/s
Water height:	35 mm
Roof penetration:	-
Diameter:	DN 50
LX-Number:	LX 2267
Weir height:	0 mm
Drain:	ventilated
Downpipe:	not ventilated
Downpipe height:	2,75 m
Drainage:	into ground pipe

LX 1221 Piece list
Please choose set up elements and extension cartridge on page 2!



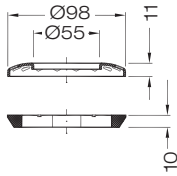
System power

System shape

Water height	mm	5	10	15	20	25	30	35	40	45	50	55	60	65	70	75	80
Discharge	l/s	0,3	0,6	0,71	0,81	0,85	0,89	0,94	0,98	1,02	1,08	1,13	1,19	1,22	1,24	1,29	1,31
Silent																	

Please choose suitable setup elements and an extension cartridge!

DN 50

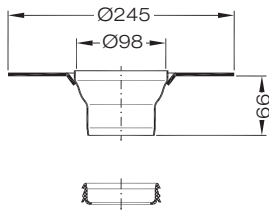


Strainer unit

consisting of: strainer, round, with pipe penetration, support ring

Art.-No. 20422.050X

Weight: 0,15 kg



one-piece version

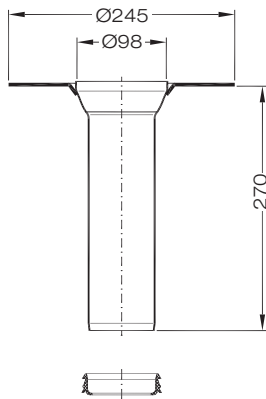
LX2267-12X

Set up element, Series V-FL

with bonding flange, for sealing with liquid plastic, made of stainless steel

Art.-No. 20420.050X

Weight: 1,5 kg



two-piece version

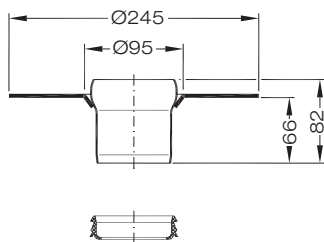
LX2267-13X

Extension unit

for thermally insulated balconies, **Series V-FL** with bonding flange, for sealing with liquid plastic, consisting of: extension unit with bonding flange, sealing element DN 70

Art.-No. 20425.050X

Weight: 2,4 kg



Set up element with socket

for thermally insulated balconies, **Series V-FL** with bonding flange, for sealing with liquid plastic

Art.-No. 20426.050X

Weight: 1,5 kg

Base unit

Art.-No. 21400.050X
consisting of:



① **Formwork mushroom**

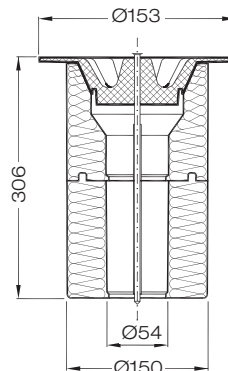
Art.-No. 18110.050X

② **Base body**

Art.-No. 21210.050X

③ **Formwork dome**

Art.-No. 18104.050X



Thermal insulation base unit

consisting of: formwork mushroom, thermal insulation body and fastening screw

Art.-No. 21401.050X

Weight: 0,7 kg

Attention:

The base body 21210.050X has to be ordered separately!